

Weatherby, Inc.
3100 El Camino Real
Atascadero, CA 93465

Postage will be paid by:

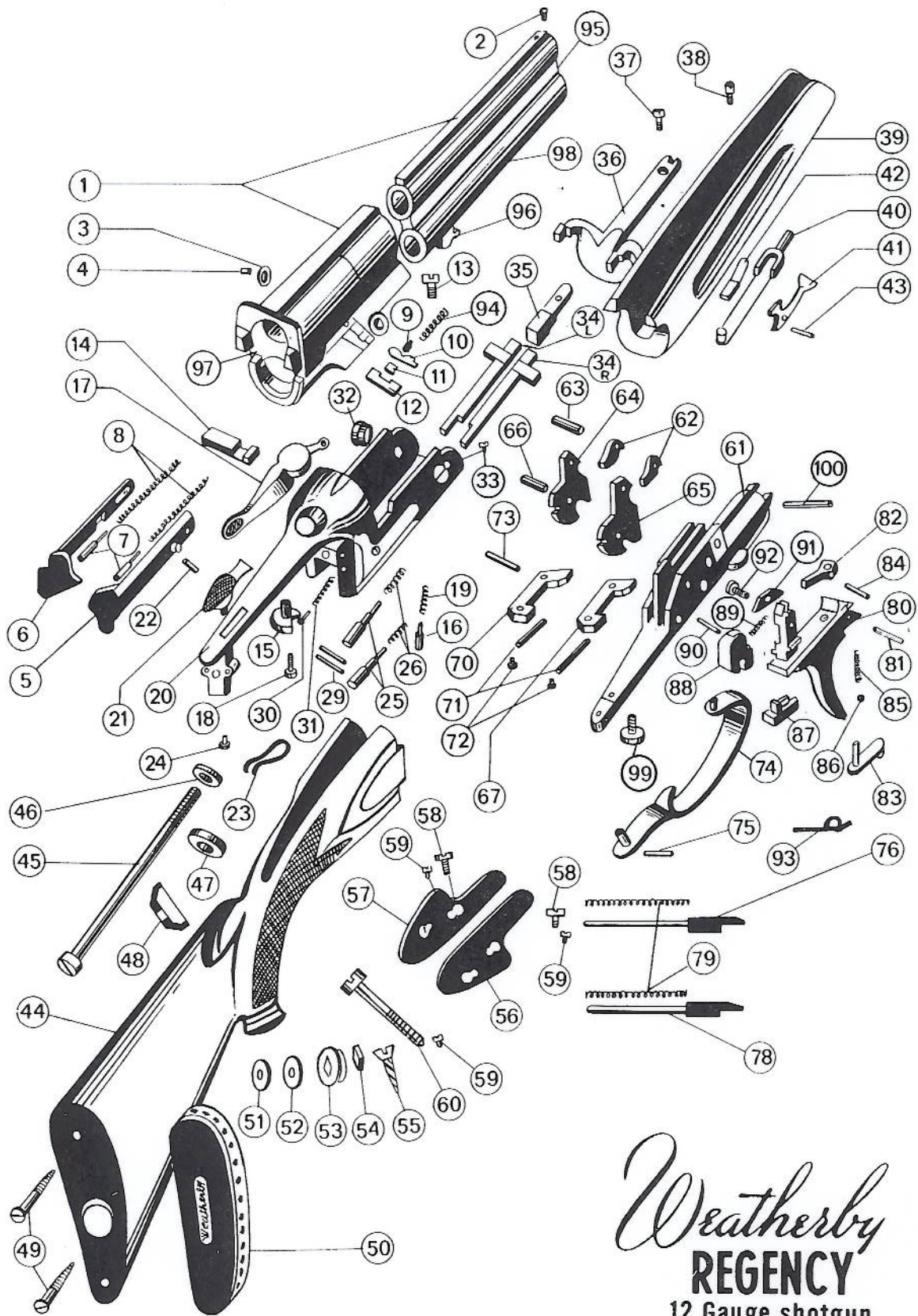
BUSINESS REPLY MAIL
No Postage Stamp Necessary If Mailed in the United States

FIRST CLASS
Permit No. 231
South Gate,
California



EXPLODED
VIEW

Weatherby



Weatherby
REGENCY
12 Gauge shotgun

Symbol of Superiority
Weatherby

2781 E. Firestone Blvd.,
South Gate, Calif. 90280.

Weatherby

PARTS REQUIRED

Part No.	Index	DESCRIPTION	REGENCY 12 Gauge	Part No.	Index	DESCRIPTION
3400	39	Forearm		3445	79	Mainspring
3401	37	Screw-Retaining - Rear		3446	34R	Cocking Rod - Right
3402	38	Screw - Retaining - Front		3447	34L	Cocking Rod - Left
3403	35	Cam - Cocking Rod		3448	18	Screw - Top Lever
3404	36	Forearm Iron		3449	17	Top Lever
3405	43	Pin - Latch		3450	15	Spring Return - Top Lever
3406	42	Spring - Latch		3451	31	Spring - Top Lever
3407	41	Latch		3452	30	Pilot Spring
3408	40	Housing - Latch		3453	14	Crossbolt
3409	6	Ejector - Top		3454	16	Detent - Crossbolt
3410	5	Ejector - Bottom		3455	19	Spring - Detent
3411	7	Plunger - Ejector		3456	33	Locking Screw
3412	8	Spring - Ejector		3457	32	Pivot Plug
3413	13	Screw - Ejector Retainer		3458	29	Pin - Firing Pin Retainer
3414	12	Cover Plate - Locking Bar - Right		3459	25	Firing Pin
3415	12	Cover Plate - Locking Bar - Left		3460	26	Spring - Firing Pin
3416	10	Locking Bar - Ejector - Right		3461	24	Screw - Safety Spring
3417	10	Locking Bar - Ejector - Left		3462	23	Spring - Safety
3418	94	Tension Spring - Locking Bar		3463	22	Pin - Safety
3419	11	Cover Plate - Detent - Right		3464	21	Safety
3420	11	Cover Plate - Detent - Left		3465	75	Pin - Trigger Guard
3421	9	Detent - Right		3466	74	Trigger Guard
3422	9	Detent - Left		3467	99	Screw - Tang
3423	2	Bead - Front		3468	100	Pin - Bottom Plate
3424	1	Ventilated Rib		3469	63	Pin - Cocking Cam
3425	95	Side Rib		3470	62	Cam - Cocking
3427	96	Latch Hook		3471	66	Pin - Hammer
3429	4	Locking Screw		3472	65	Hammer - Right
3431	3	Pivot Hinge		3473	64	Hammer - Left
3432	97	Monobloc		3474	73	Pin - Sear
3426	98	Barrel		3475	67	Sear - Right
3433	59	Locking Screw		3476	70	Sear - Left
3434	58	Side Plate Screw		3477	72	Screw - Sear Spring
3435	60	Side Plate Bolt		3478	71	Sear Spring
3436	56	Side Plate - Right		3479	81	Pin - Trigger Assembly
3437	57	Side Plate - Left		3480	84	Pin - Selector
3438	44	Buttstock		3481	82	Selector
3003	54	Diamond Inlay		3061	86	Ball - Steel - 125 Dia.
625	55	Screw - Wood - No. 8 x 1		3482	85	Spring - Selector
3001	53	Pistol Grip Cap		3483	83	Lever - Selector
3002-W	52	Spacer - White		3484	90	Pin - Inertia Block
3002-B	51	Spacer - Black		3485	89	Spring - Inertia Block
3439	45	Stockbolt		3486	88	Inertia Block
3440	48	Split Ring		3487	87	Slide - Inertia Block
3441	46	Lockwasher		3488	92	Screw - Inertia Block Cam
3442	47	Washer - Stockbolt		3489	93	Spring - Trigger
625	49	Screw - Wood No. 8 x 1"		3490	91	Cam - Inertia Block
3007	50	Recoil Pad		3491	80	Trigger
3443	78	Pilot - Mainspring - Right		3492	61	Bottom Plate
3444	76	Pilot - Mainspring - Left				

NOTE: Index number for reference to photo only. ORDER by part number. PARTS AND PRICES SUBJECT TO CHANGE WITHOUT NOTICE. WHEN ORDERING PARTS - Model Number, Part Number and Part Name must be given.

DIRECTIONS FOR ASSEMBLY

1. Disconnect the fore-end from the barrels by pulling the gold fore-end snap lever (photo # 1). This will unlock the fore-end and it can then be pulled from the barrels.



Photo # 1

2. Attach the barrels to the receiver (photo #2). Hold barrels in one hand at approximately the balance point and hold the butt stock section in the other hand at the pistol grip. The barrels should be at about a 45° angle to the receiver before you attempt to attach them. Align the barrels to the receiver so that the barrel section can be placed into the receiver. Seat the barrels in the receiver and then pull forward on the barrel section until the polished hinge pin surfaces on the barrels lock into the circular recesses in the front section of

Welcome to the growing family of hunters who have chosen the Weatherby Regency. You will discover that a Weatherby is not a purchase but an investment. It is an investment in the success of all your future bird hunting. You have, in a Weatherby, a shotgun of outstanding excellence and reliability. Treat it with the normal care you give any of your cherished possessions and it will reward you with a lifetime of service and pleasure.

To make sure your Weatherby Factory Warranty goes on file promptly, fill out the warranty card attached and mail it within 10 days. Good Hunting!

Roy E. Weatherby

each side of the receiver. When the barrels are properly positioned within the receiver no further forward movement will be possible. Now push the top lever to its extreme right-hand position and close the gun completely. The barrels are now firmly locked to the receiver section of the gun.

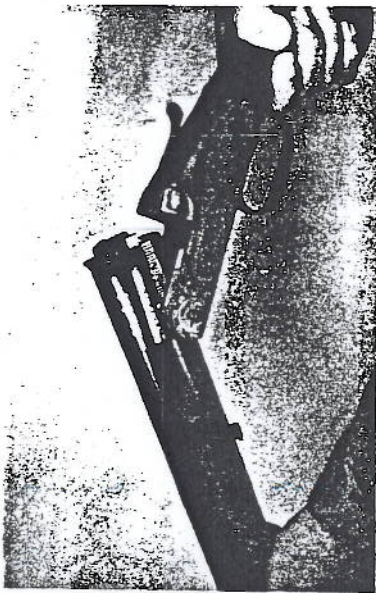


Photo #2

3. The fore-end can now be affixed to the barrel section by aligning the rear of the fore-end with the front of the receiver holding the fore-end at a 45° angle to the barrels (photo #3). Make sure that the rear of the fore-end is seated snugly against and mated to the front of the receiver. Properly positioned you can now rotate the fore-end to its locked position on the barrel section. While closing the fore-end to the barrels, the snap lever will automatically open and then partially close. Now lock fore-end into position by pressing down on snap lever.



Photo #3

CAUTION:

In assembling your Weatherby Regency do not use undue force. All parts have been meticulously hand-fitted and force only indicates that the barrels and receiver or forearm have not been properly aligned. Undue force will tend to mar these highly polished and hand-fitted surfaces.

DIRECTIONS FOR DISASSEMBLY

1. To disassemble your Regency, first disconnect the fore-end from the barrels by pulling the gold fore-end snap lever. This will unlock the fore-end and it can then be removed from the barrels.

2. Holding the barrel section in one hand and the stock in the other, push the top lever to its extreme right-hand position.
3. Open the barrel section as if to load the gun. Continue the downward movement of the barrel section as far as possible. Now move the barrel section back and up. Complete disengagement will occur.

4. Reaffix the fore-end to the barrel section of the gun by placing the rear of the fore-end in its appropriate breech recess. Press the fore-end onto the barrels until properly seated. Again, the fore-end snap lever will automatically open and partially close. When the fore-end is firmly seated in position, the snap lever can be pushed closed to firmly secure the fore-end to the barrels.

If you wish to store your shotgun disassembled for an indefinite period of time, you should restore

Photo #4

Top lever release pin.



the top lever to its centered position. This can be done by depressing the top lever release pin located on the face of the breech (photo #4). Depressing this pin will automatically re-center the top lever. If your gun is new and the action stiff, it may be necessary, after depressing the pin, to gently move the top lever to its centered position.

CAUTION:

Do not disassemble your Regency beyond separating the forearm and barrels; it is not required for normal maintenance and might cause permanent damage. If the inner mechanism of your gun requires attention, write to our Service Department, Weatherby, Inc., 2781 E. Firestone Blvd., South Gate, California 90280.

OPERATING INSTRUCTIONS

TOP LEVER

The top lever locks the breech end of the barrel to the receiver. To open the gun, move the top lever to its extreme right-hand position (photo #5). This will unlock the barrels from the receiver enabling you to open the gun. The top lever will remain in its right-hand position until the gun is closed. When closing the gun, the top lever will automatically return to its original centered position and the gun is cocked and ready to fire.

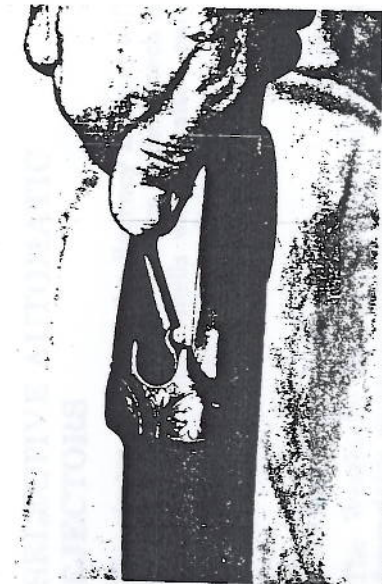


Photo #5

When the gun is new, the action may be stiff and the top lever may not return to the exact center. This will not adversely affect the use of the gun nor will it be unsafe. If you wish, you may gently move the top lever to the left to center it. This is not necessary, however.

SINGLE SELECTIVE TRIGGER

On the Regency shotgun the selective trigger lever is conveniently located inside the trigger guard, immediately in front of the trigger (photo #6). When pushed to the left, the lower barrel will fire first and when to the right, the upper barrel will fire first. The second barrel will fire automatically on a subsequent trigger pull.

Due to the patented mechanical inertia block system, even in the case of a misfire in the first barrel, the second barrel will automatically fire upon the next trigger pull.

8

CAUTION!

Please make sure that the selective trigger lever is always as far to the right or left as possible for proper operation.

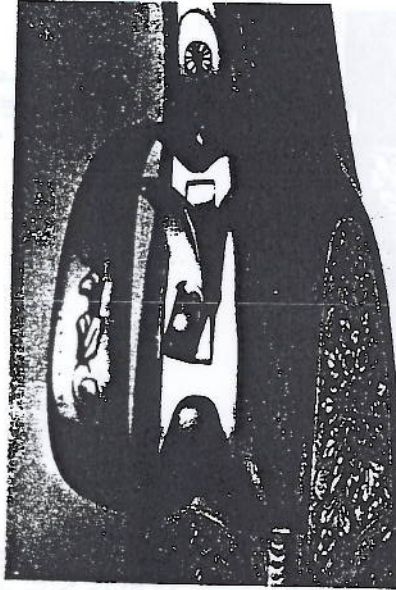


Photo #6

SAFETY

The Regency slide type safety is located on the upper receiver tang, behind the top lever, on top of the pistol grip. The gun is ready to fire when it is in the forward position covering the "S." Conversely in the rearward position, with the "S" exposed, the gun is on safe and inoperable.

9

SELECTIVE AUTOMATIC EJECTORS

The ejector system of the Regency shotgun will eject only the fired case or cases as the breech is opened. The unfired shells will be raised only slightly for purposes of unloading.

RECEIVER

The Weatherby Regency has one of the most dependable receivers ever built. It is of box lock construction for strength yet sports side lock type plates to enhance the beauty and carry through the fine floral engraving. It excels both in design as well as in strength, featuring high strength steel alloy hinge pivots. The Regency features the classic Greener cross bolt locking system, coil type main springs for greater reliability, and a patented inertia block system which provides for an automatic switchover from the barrel first selected to the second barrel even in the event of a misfire.

BARRELS

The Regency barrels are made of special steel to precise dimensions. They are then hand-fitted to the breech block system and regulated to insure that both pattern correctly. These barrels have a matted ventilated rib and a bead front sight. They are also fitted with selective automatic ejectors and, of course, each one is test-fired at the factory with proof loads to double check for strength and safety.

10

CHOKES

The choke markings are located on the left side of the barrels near the breech end under the forearm. They are marked as follows:

Full	• or F
Improved Modified	•• or IM
Modified	••• or M
Improved Cylinder	•••• or IC
Skeet Boring	••••• or S
Cylinder	•••••• or C



11

ADDITIONAL INFORMATION AND SUGGESTIONS

CLEANING

Always insure that the bore of your Regency is clean and that all metal surfaces have a light coat of oil. Never pour oil into the receiver. Make sure that the mating surfaces of the breech block and receiver are especially clean and lightly oiled to insure proper fit and locking.

AMMUNITION

The Regency 12 gauge shotgun is chambered to accept all standard factory 12 ga. 2 $\frac{3}{4}$ " and 2 $\frac{1}{2}$ " Magnum shells. It is not chambered for 3" shells.

The Regency 20 gauge shotgun accepts all standard factory 20 ga. 2 $\frac{3}{4}$ " and 3" Magnum shells.

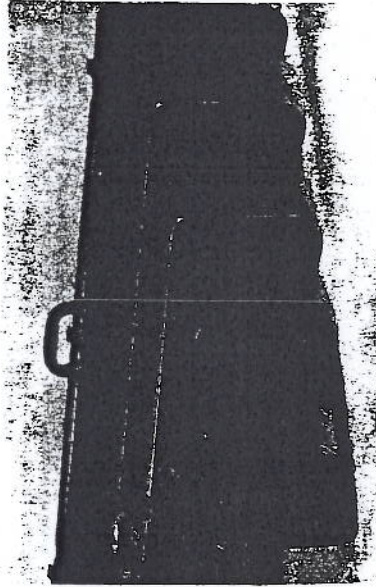
CAUTION:

The accidental chambering and discharge of shells of the wrong gauge can result in damage to your gun. As a precautionary measure, carry only the proper gauge ammunition with you when in the field.

WEATHERBY GUN GUARD GUN CASES

These lightweight, mar-proof gun cases are the modern way to carry your firearms. Designed to provide absolute protection for rifles, shotguns and pistols, Weatherby gun cases are constructed of heavy-duty, high-impact plastic, with a polyurethane foam lining and individual tie-downs for each firearm. These new lightweight cases are available in a stunning red, dark grey and smart brown leather finish with harmonizing gold hardware, luggage-type handles and locks. Though competitively priced, they are designed to please even the most discriminating sportsman.

Available in: Takedown Shotgun Case
 Handgun Case
 Double Rifle Case
 Single Rifle Case



FULL ONE-YEAR WARRANTY

WEATHERBY firearms are warranted by Weatherby, Inc. to be free of defects in materials or workmanship for a period of one year from the date of first purchase by a consumer. For the warranty to become effective, a warranty registration card must be completed and mailed to Weatherby, Inc. within ten days after purchase.

Weatherby, Inc. shall not be responsible for defects resulting from ordinary wear and tear, alterations by unauthorized persons, accident, misuse of incorrect or other than factory loaded ammunition, or failure to provide reasonable and normal maintenance.

Should any defect in original materials or workmanship appear during the warranty period, it will be remedied without charge to the owner, provided the firearm is delivered, transportation prepaid, to Weatherby, Inc. or any of its authorized service centers (names and addresses of which will be supplied by Weatherby, Inc. on request), and is deemed defective upon inspection by its gunsmiths. Firearms must be accompanied by a letter explaining the problem experienced, and should be insured by owner at time of shipment, as Weatherby, Inc. can accept no responsibility for damage or loss in transit. Weatherby, Inc. will pay all necessary transportation and insurance charges for return of the firearm to owner if it is accepted for service under this warranty.

WEATHERBY, INC. SHALL NOT BE LIABLE FOR ANY CONSEQUENTIAL, INCIDENTAL OR CONTINGENT DAMAGES.

Some states do not allow the exclusion of incidental or consequential damages, so the above limitation may not apply to you.

This warranty gives you specific legal rights, and you may also have others which vary from state to state. It complies with Federal statutes and regulations effective December 31, 1976, and replaces and supersedes any other warranty which may be packaged with the firearm or which may be contained in any other printed instructional or informational materials.

Weatherby, INC.

2781 E. Firestone Blvd., South Gate, Calif 90280
Telephone: 213/569-7186

©1980 Copyright Weatherby Inc. Printed in U.S.A.

Make sure your Weatherby factory warranty goes on file promptly; fill out the card below and mail within 10 days.

Your Name: _____
Address: _____
City: _____ State: _____ Zip: _____
Date of Purchase: _____ Serial No. _____
Dealer Name: _____
Address: _____
City: _____ State: _____ Zip: _____
IMPORTANT: Your Weatherby Registry was shipped with an instruction Manual. If you did not receive it with your purchase please check here.